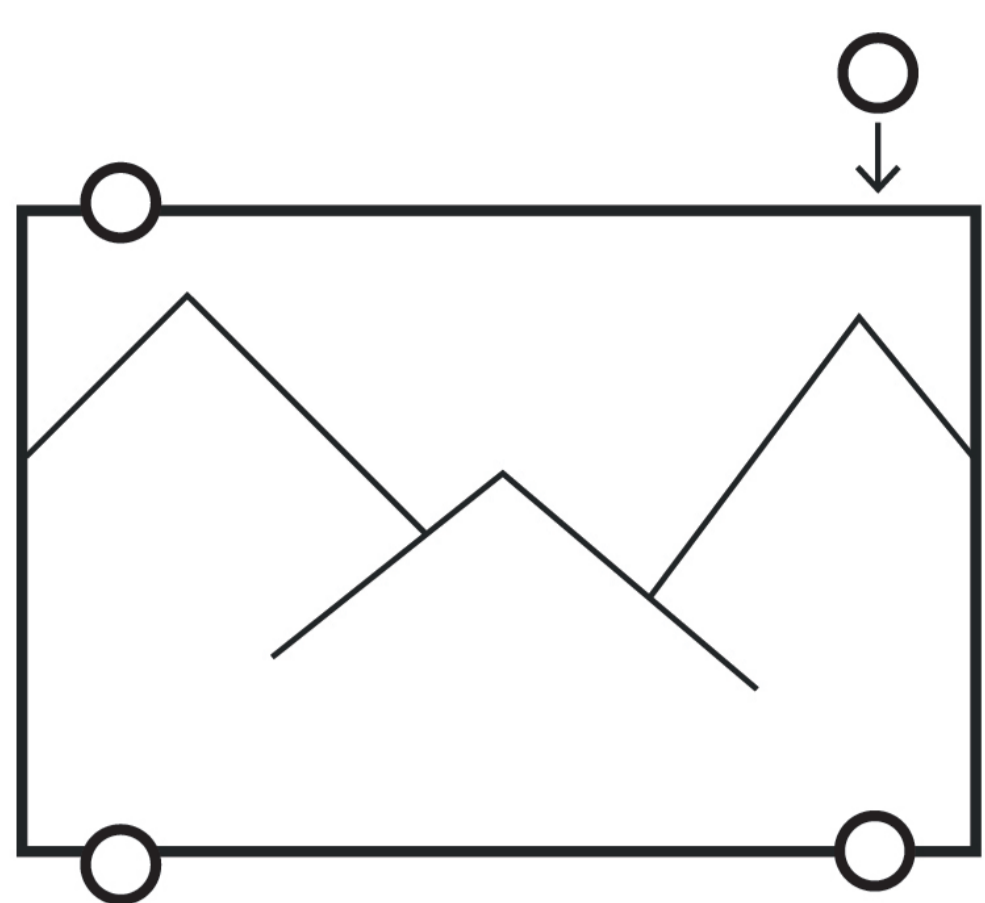
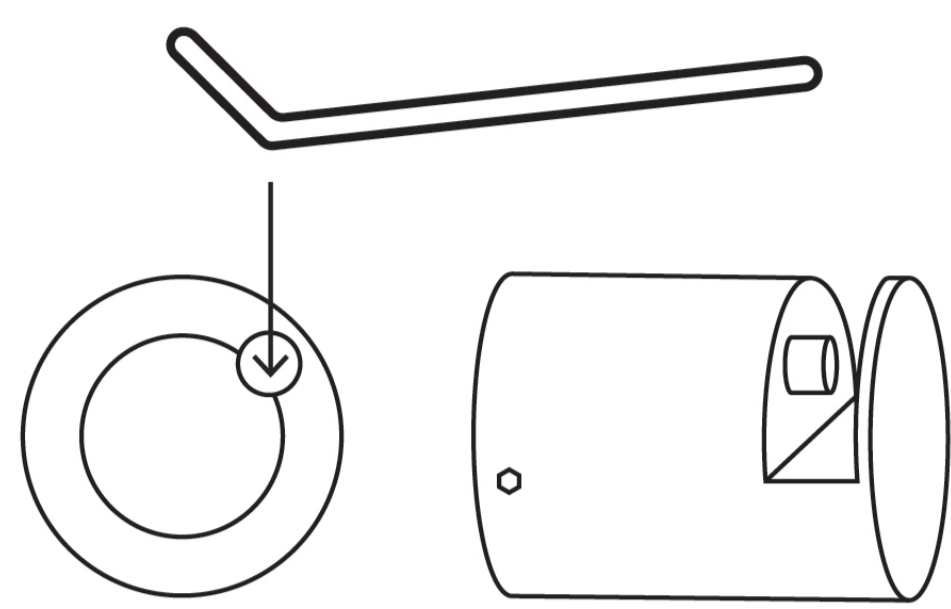


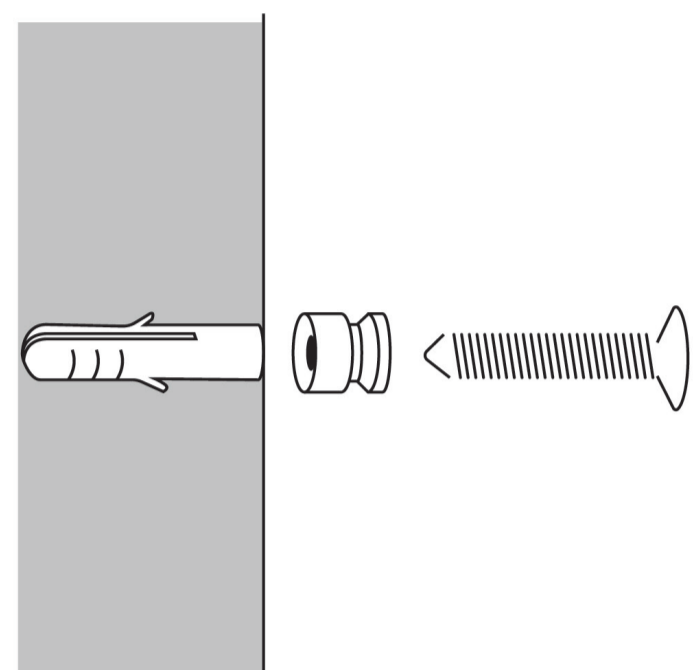
Instructions for acrylic glass plate



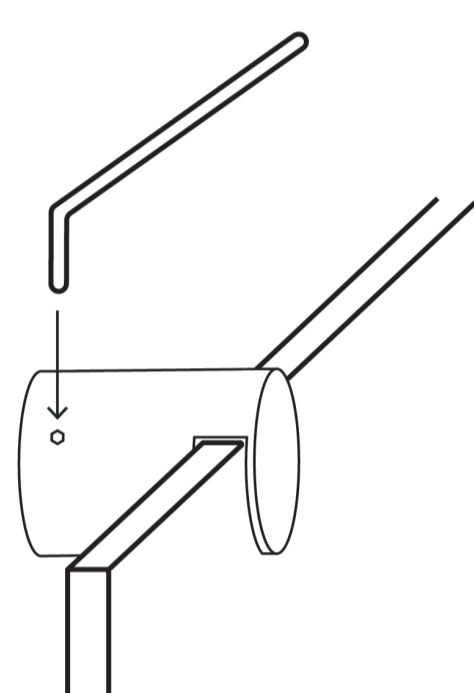
1 Place the plate holders on the upper and lower edges at the required distance from the corners (for example 5 cm).



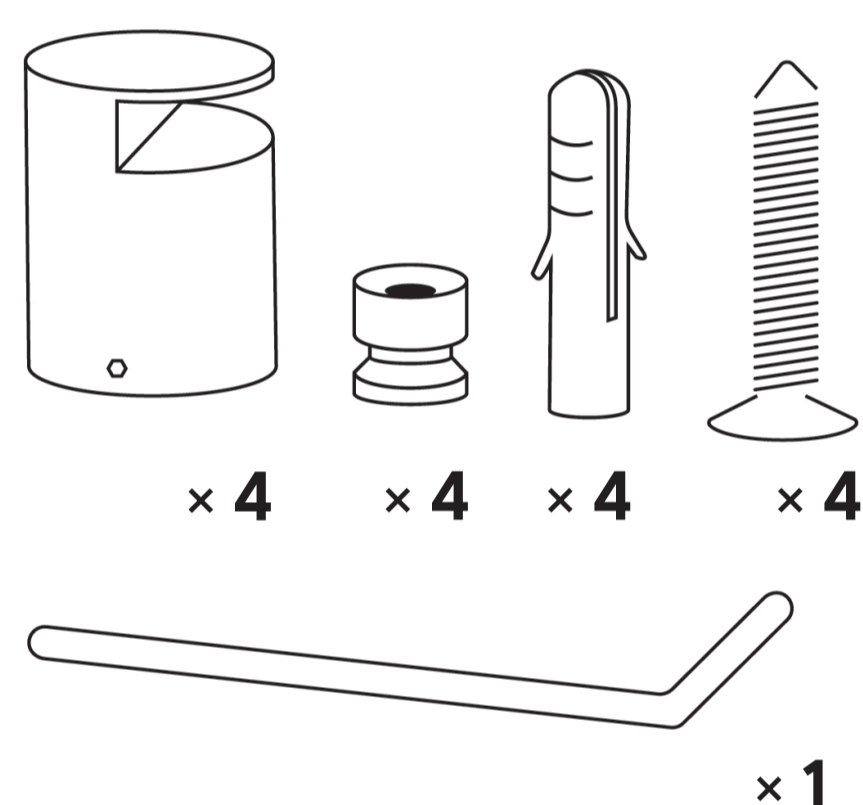
2 Tighten the four plastic screws from behind with the Allen key until there is a noticeable increase in resistance. Measure the distances between the centres of the large mounting holes in the plate holders and transfer the positions to the wall.



3 Use a 6 mm drill and press the dowel plugs fully into the wall. Push the screws into the fixing sleeves and screw them into the dowel plugs.

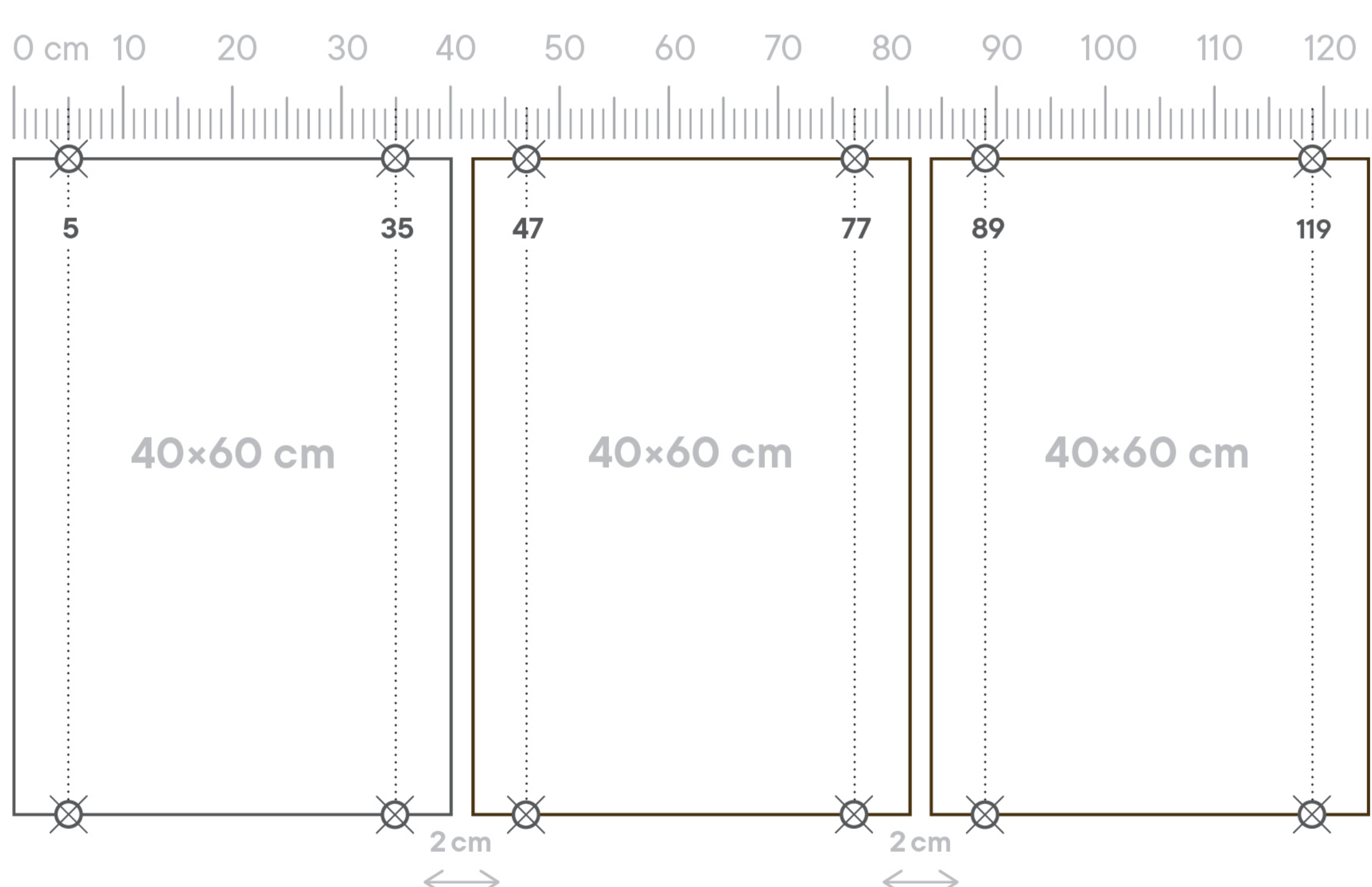


4 Now take the plate and connect it with the fixing sleeves. Then, without releasing the acrylic glass plate, tighten the four side-mounted metal set screws with the Allen key, and check that the plate is secure.



Accessories supplied for acrylic glass plate

Assembly recommendation for multi-panel acrylic glass plate



We recommend hanging the wall decorations 2 cm apart from one another. Simply use the measurements specified in the sketches for your wall decoration.

General instructions

A damp cloth is suitable for cleaning. Do not use aggressive cleaning agents. Do not hang in the immediate vicinity of hot light sources.